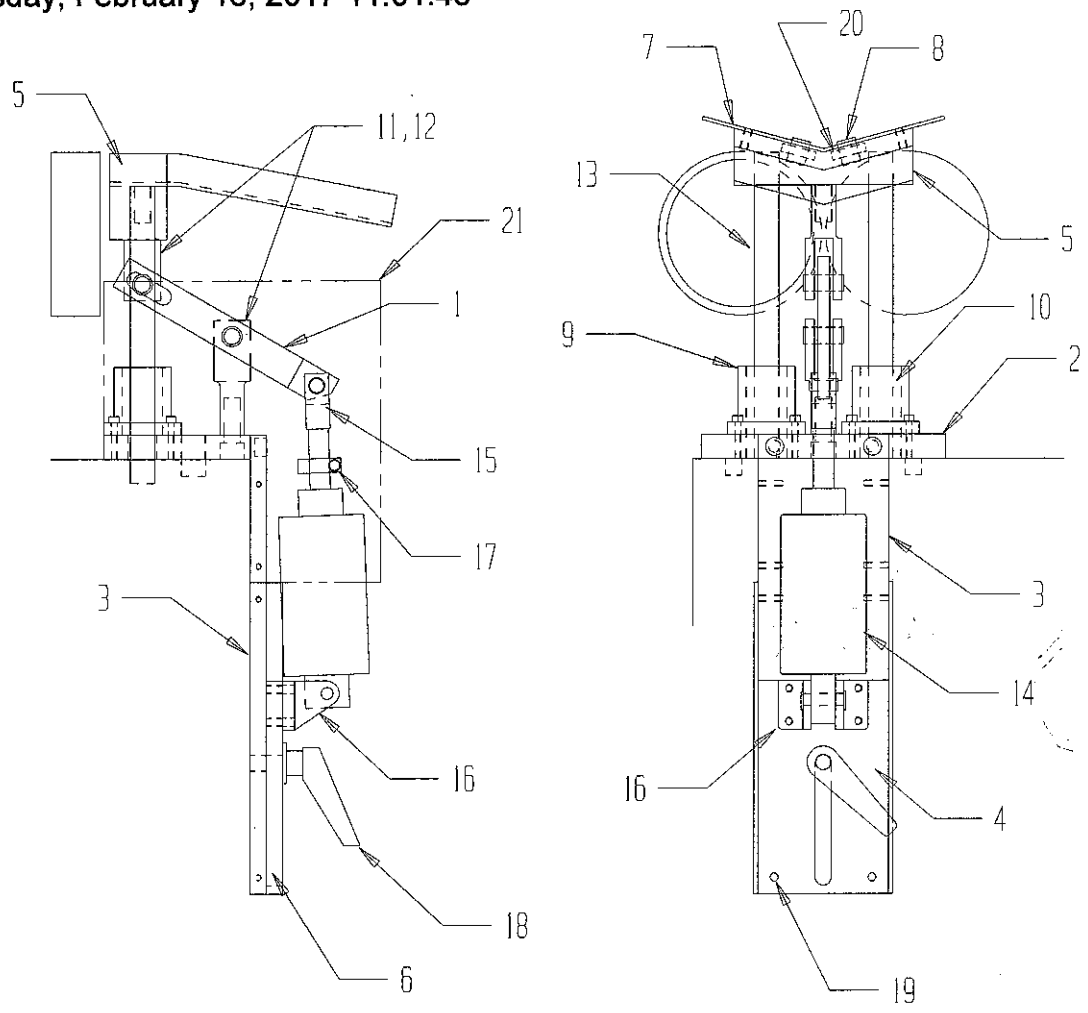


| ITEM | DWG/PART NO. | REQ | DESCRIPTION |
|------|---------------|-----|----------------------------------|
| 1 | S 31501 REV A | 1 | LINK BAR |
| 2 | S 31502 | 1 | HORIZONTAL PLATE |
| 3 | S 31503 | 1 | VERTICAL PLATE |
| 4 | S 31504 | 1 | SUB PLATE |
| 5 | S 31505 REV A | 1 | CROSS BAR |
| 6 | S 31506 | 2 | GUIDE |
| 7 | S 41503 | 1 | CHUTE WELDMENT S 41501 & S 41502 |
| 8 | S 51501 | 2 | TRACK ROLLER YR -3/4-X |
| 9 | S 51502 | 2 | BEARING HOUSING |
| 10 | 010-50915 | 2 | BEARING |
| 11 | S 61501 | 2 | ROD CLEVIS #6071K32 |
| 12 | S 81503 | VAR | STEEL SHIMS |
| 13 | S 81504 | 2 | 3/4" HARD SHAFT x 10" LONG |
| 14 | 014-60201 | 1 | CYLINDER |
| 15 | 014-60202 | 1 | ROD CLEVIS |
| 16 | 014-60203 | 1 | PIVOT BRACKET |
| 17 | 010-50501 | 1 | 5/8" CLAMP COLLAR |
| 18 | 010-80503 | 1 | CLAMP HANDLE W/ROD |
| 19 | 011-80901 | 1 | 1/4" QUICK PIN |
| 20 | | 2 | CRS 1/4" x 1" LONG |
| 21 | | 1 | SHEET METAL COVER |



| | | | |
|-----------------|----------------------|-------------------|------------------------|
| DRAWN BY CAP | CORE LIFTER ASSEMBLY | | |
| DATE 2/17 | ORDER | MATERIAL NOTED | DRAWING NO. S 01500 |
| SCALE NTS | | | |