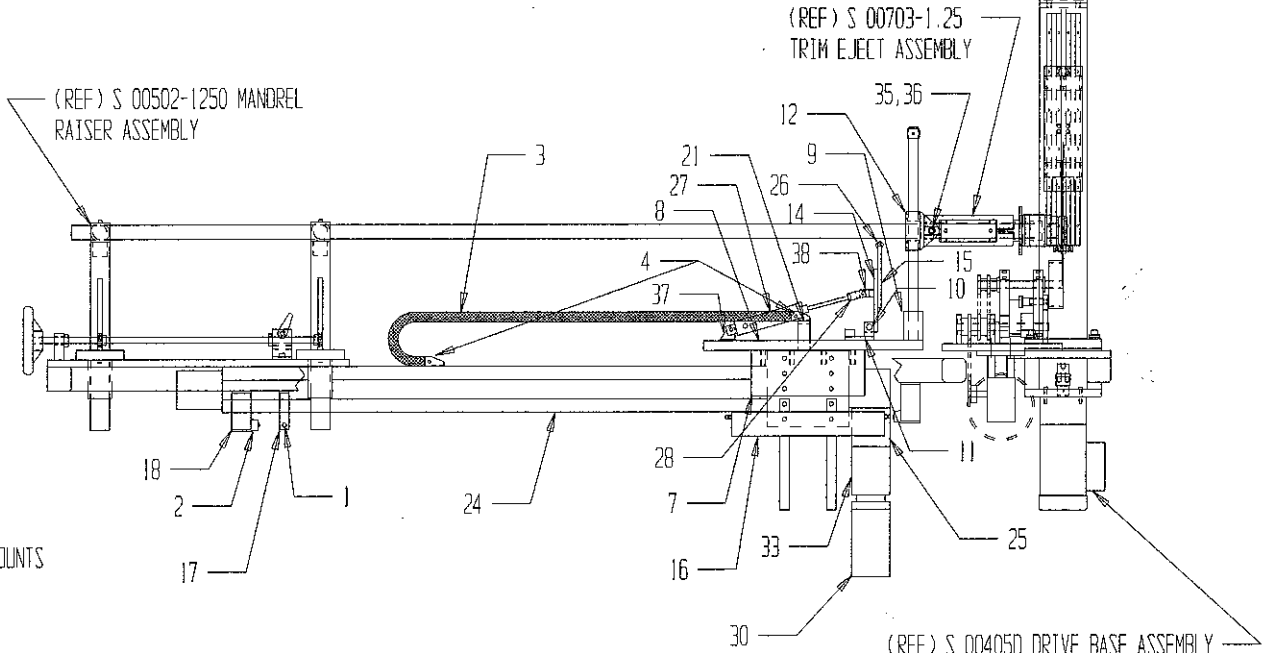
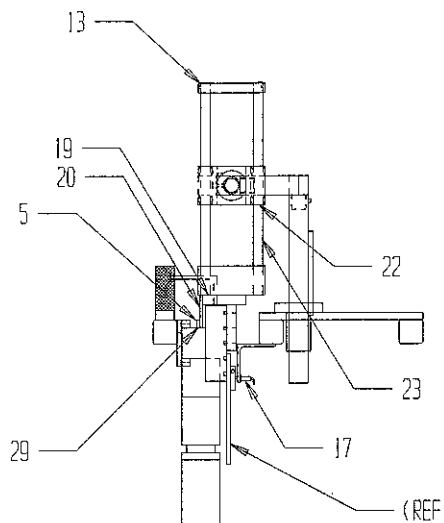


Friday, March 08, 2019 06:35:36

ITEM	DWG/PART NO	REQ	DESCRIPTION	ITEM	DWG/PART NO	REQ	DESCRIPTION
1	010-70302-3	2	PROX SWITCH	15	010-31102B-1	1	MANDREL LIFTER TOP
2	010-70901	2	LIMIT SWITCH	16	S 30920	1	LIMIT SWITCH AND PROX ACTUATION BAR
3	010-70903	VAR	TIGUS CHAIN LINKS	17	S 30922	2	ACTUATOR PROX MOUNT
4	010-700904	SET	TIGUS CHAIN BRACKETS	18	S 30923	2	ACTUATOR LIMIT SWITCH MOUNT
5	010-70931-SA-M		SISO READERHEAD	19	S 30925	1	READERHEAD MOUNT SPACER - PALETTI
6	010-70955 2x2		JUNCTION BOX(NOT SHOWN)	20	S 30926	1	READERHEAD MOUNT - PALETTI
7	S 30901		ACTUATOR ADAPTER PLATE	21	S 30928	1	TIGUS MOUNT CARRIAGE
8	S 30902		HORIZONTAL ARM	22	S 50204-3002	4	AUTO FEED BEARINGS
9	S 30903		AUTO FEED ROD BLOCK	23	S 50524-24"-1"	2	1" x 24" HARDENED SHAFTING
10	010-90508		1/2" G & P SHAFTING x 3.5"	24	S-50901-( ) PAL	1	PALETTI STYLE ACTUATOR - SPECIFY STROKE
11	014-41101		MANDREL LIFTER BASE	25	S S 50901-66 PAL		PALETTI ADAPTER FOR SERVO DRIVE
12	S 30910		PUSHER LINK BEARING MOUNT	26	010-01103	1	MANDREL REST KIT
13	S 30911		LINK ROD CONNECTOR	27	011-60501	1	MANDREL LIFTER CYLINDER
14	011-41102		PIVOT WELDMENT	28	011-60503	1	ROD CLEVIS



ITEM	DWG/PART NO	REQ	DESCRIPTION
29	010-70932-( )	1	MAGNETIC STRIP - SPECIFY LENGTH
30	S 71815-1-( ) V	1	MPL SERVO MOTOR - SPECIFY VOLTAGE
31	S 71815-2-( ) V	1	SERVO DRIVE - SPECIFY VOLTAGE(NOT SHOWN)
32	S 71815-3	1	BREAKOUT BOARD (NOT SHOWN)
33	S 71815-4-1	1	SHIMPO GEARBOX
34	(111)-71815-41	1	5M FEEDBACK CABLE (NOT SHOWN)
35	S 90711	2	2868T14 SAE 863 SLEEVE BEARING
36	S 99900	2	STRIPPER BOLT
37	011-61056	1	PIVOT BRACKET
38	011-31021	1	ROD CLEVIS BLOCK
39			
40			
41			
42			
43			
44			

DRAWN BY CAP	CORE ADVANCE ASSEMBLY PALETTI STYLE ACTUATOR		
DATE 3/19	ORDER	MATERIAL	DRAWING NO. S 00901D REV1
SCALE NTS			