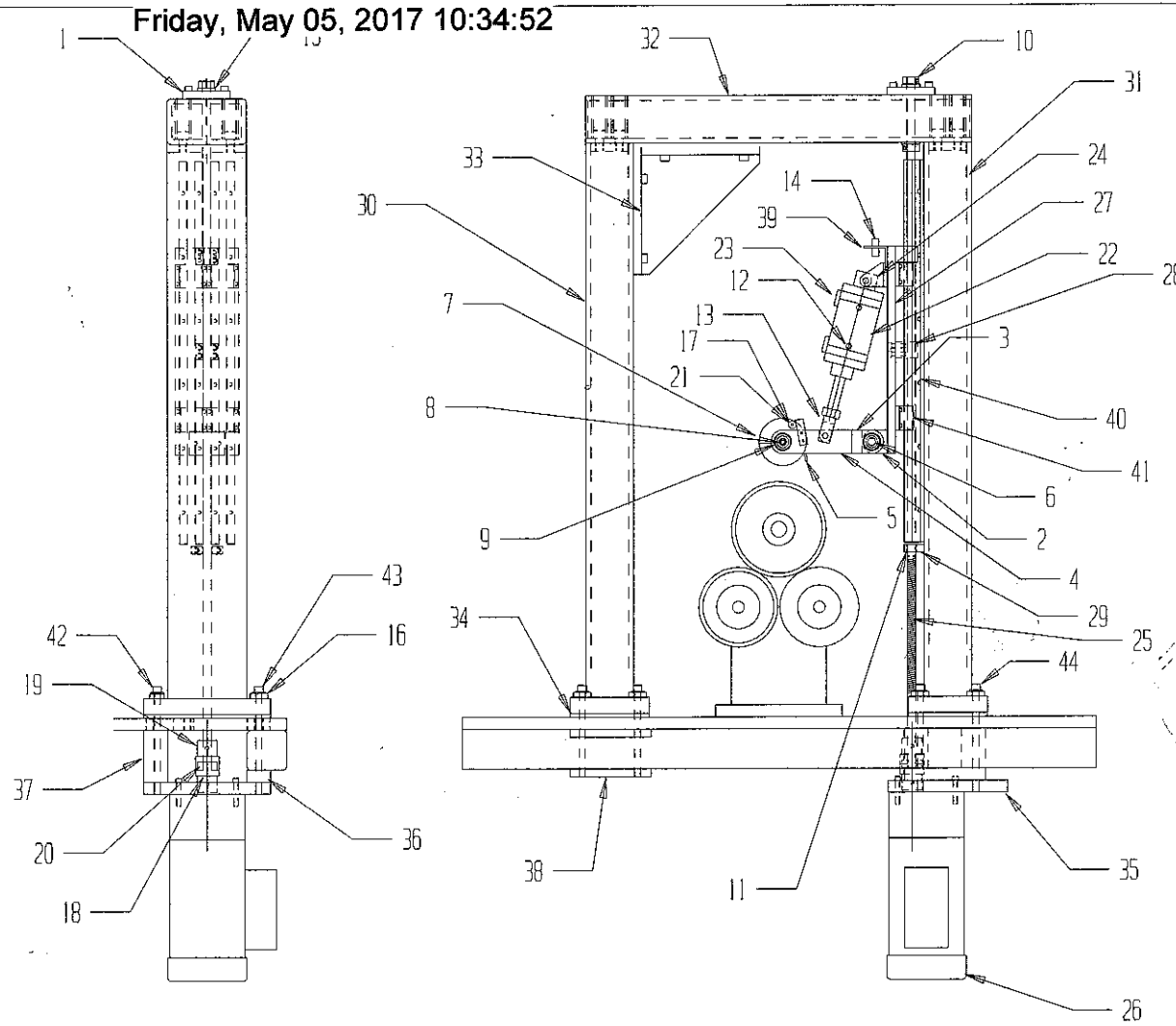


Friday, May 05, 2017 10:34:52

ITEM	PART/DWG NO.	REQ	DESCRIPTION
1	010-30202	1	KNIFE COLUMN TOP PLATE
2	010-30208	1	KNIFE COLUMN PIVOT BLOCK
3	010-30209	1	KNIFE YOKE PIVOT BRACKET
4	010-30209-4"	1	KNIFE YOKE, 4"
5	010-30210	1	AIR JET
6	010-30212	1	STEEL ROD, 1/2 x 3.5"
7	010-3070K )	1	KNIFE - SPECIFY SIZE
8	010-30716	1	KNIFE AXLE KIT
9	010-50201	4	KNIFE YOKE BEARING
10	010-50202	2	CLAMP COLLAR 1/2-13
11	010-50305	1	BRONZE BUSHING
12	010-60000	2	1/4 x 90 DEG AIR FITTING
13	010-60202	1	ROD CLEVIS/NUT
14	010-70302-3	1	PROX SWITCH
15	010-80310	2	THRUST BUSHING
16	011-30213	8	INSULATING BUSHING
17	011-30214	1	CONTACT BRUSH HOLDER
18	011-51122	1	COUPLING BOTTOM
19	011-51123	1	COUPLING TOP
20	011-51124	1	INSERT
21	011-70207	1	BRUSH CONTACT
22	014-60201	1	HD KNIFE CYLINDER
23	014-61010	2	BAND SWITCH FOR KNIFE CYLINDER
24	014-60203	1	PIVOT BRACKET
25	910-080TR-42	1	1/2-13 THREADED ROD
26	CT11-50401LEE	1	KNIFE MOTOR
27	S 30201	1	KNIFE MOUNTING PLATE
28	S 30202	1	MANUAL ADJ NUT
29	S 30203	1	SCREW STABILIZING BLOCK
30	S 30205	1	U FRONT SUPPORT
31	S 30206	1	U BACK SUPPORT
32	S 30207	1	U TOP SUPPORT
33	S 30208	1	U SUPPORT GUSSET
34	S 30212	2	INSULATING PLATE
35	S 30215	1	UNDER FRAME KC MOUNT
36	S 30216	1	KNIFE MOTOR MOUNT SPACER
37	S 30217	2	KNIFE MOTOR MOUNT STANDOFF
38	S 30218	2	KNIFE COLUMN NUT PLATE
39	S 40201	1	PROX SWITCH MOUNT
40	S 50201	2	CERAMIC SUPPORT RAIL
41	S 50202	4	PILLOW BEARINGS
42		2	3/8-16 SHCS x 3" LONG
43		4	3/8-16 SHCS x 5 1/2" LONG
44		4	3/8-16 SHCS x 6 1/2" LONG



DRAWN BY CAP	AUTO - ADJUST KNIFE ASSEMBLY WITH UNDER FRAME MOTOR MOUNT		
DATE 10/16	ORDER STD	MATERIAL NOTED	DRAWING NO. S - 00206