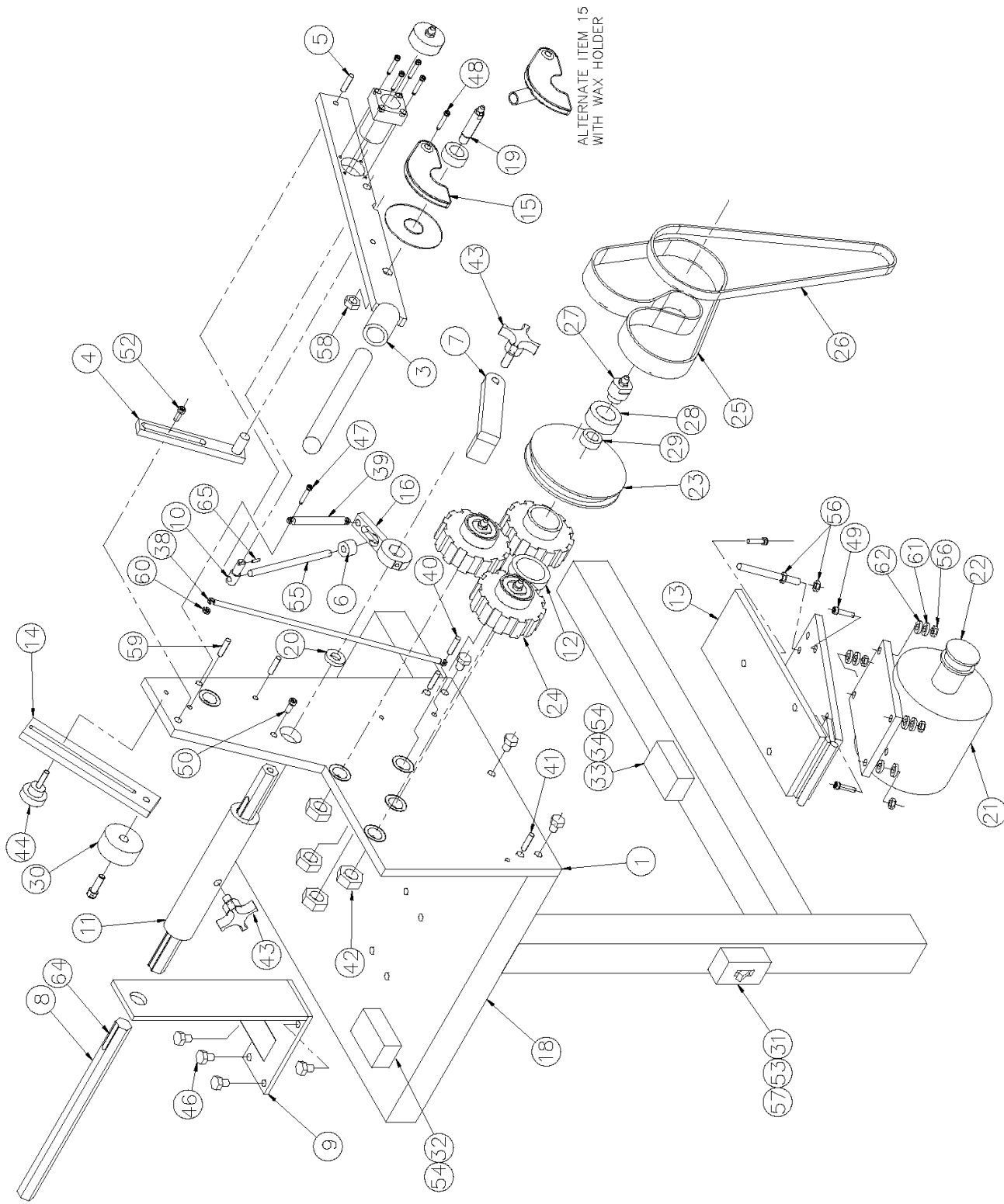


RIGHT SIDE MACHINE PARTS LIST

Item #	Part Number	Qty	Description
1	008-30101C	1	Mounting Plate
3	008-30201-1	1	Knife Arm Assembly
4	008-30203	1	Knife Arm Stop
5A	912-04020	1	Knife Handle Spring Bolt
5B	913-040HN	2	Knife Handle Spring Nut
6	008-30303	1	Actuator Lever Pusher
7	008-30305	1	Tube Stop
8	008-30307	1	Tube Stop Shaft
9	008-30308	1	Tube Stop Shaft Support
10	008-30310	1	Push Rod, Top
11	008-30311	1	Locking Spacer End Stop Shaft
12	008-30401	1	Drive Idler
13	008-30402	1	Motor Mount
14	008-31101	1	Support Roller Mount
15A	008-40201	1	Knife Guard or Knife Guard
15B	008-40201W	1	Knife Guard or Knife Guard w/Waxer
15C	008-40205	1	Secondary Knife guard (Not Shown)
16	008-40301	1	Tube Stop Actuator
17	008-40401	1	Drive Assembly Guard (Not Shown)
18	008-40101	1	Table
19	008-50201	1	Tightner Shaft, Knife
20	008-50301	1	Tube Stop Bushing
21	008-50401	1	Motor, 3/4 HP
22	008-50402	1	Drive Pulley
23	008-50403A	1	Drive Pulley/Gear
24	008-50404A	2	Drive Gear
25	008-50405	1	Drive Belt
26	008-50406	1	"V" Belt
27	008-50407	5	Tightner Shaft, Drive
28	010-90501	4	Tightner Shaft, Collar
29	008-50409	8	Bearing

RIGHT SIDE MACHINE PARTS LIST

Item #	Part Number	Qty	Description
30	CT8-50702	Var.	Anvil Bearing
31	008-70401	1	Power Switch
32	008-70402	1	Push Button
33	008-70404	1	Relay
34	008-70405	1	Enclosure
38	008-80202	1	Knife Handle Spring
39	008-80301	1	Actuator Spring
40	008-80302	4	Spring Pin
41	SEE #40	0	
42	008-80304	5	Jam Nut
43	008-80307	2	Knob
44	008-81101	1	Knob
46	913-05024	7	Hex Lag Bolt
47	912-05020	1	S.H.C.S.
48	912-05016	1	S.H.C.S.
49	912-05012	4	S.H.C.S.
50	914-05016	1	B.H.C.S.
52	912-06016	1	S.H.C.S.
53	914-03006	2	B.H.C.S.
54	913-A03008	4	Self Tapping Screw
55	910-050TR	2	Threaded Rod
56	913-050HN	6	Hex Nut
57	913-030HN	2	Hex Nut
59	801-1412	1	Dowel Pin
61	91W-05WHR	4	Flat Washer
62	91W-05WHE-L	4	Lock Washer
64	008-80310	1	Tape
65	800-1.812	1	Roll Pin

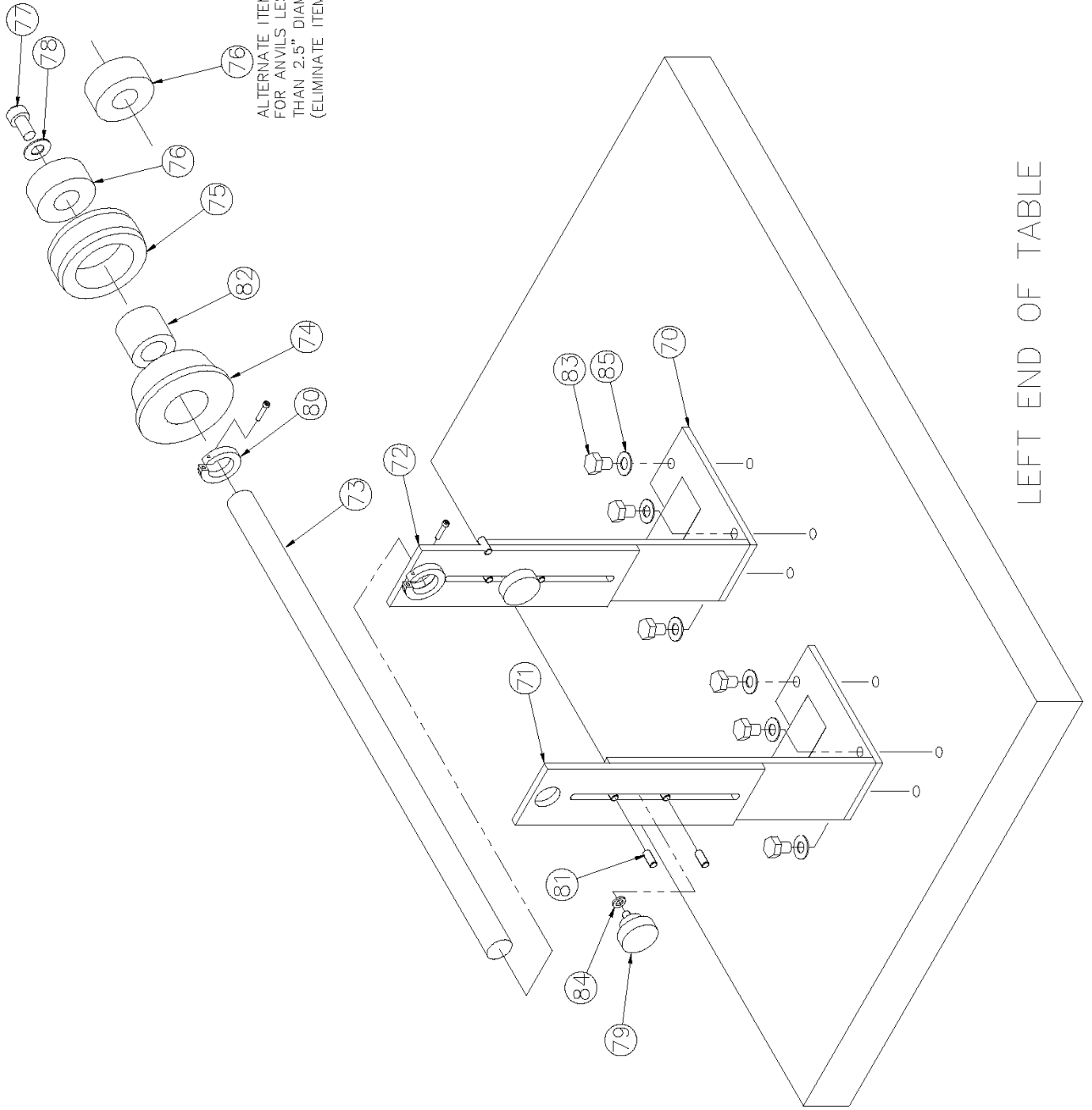


ALTERNATE ITEM 15
WITH WAX HOLDER

LEFT SIDE MACHINE PARTS LIST

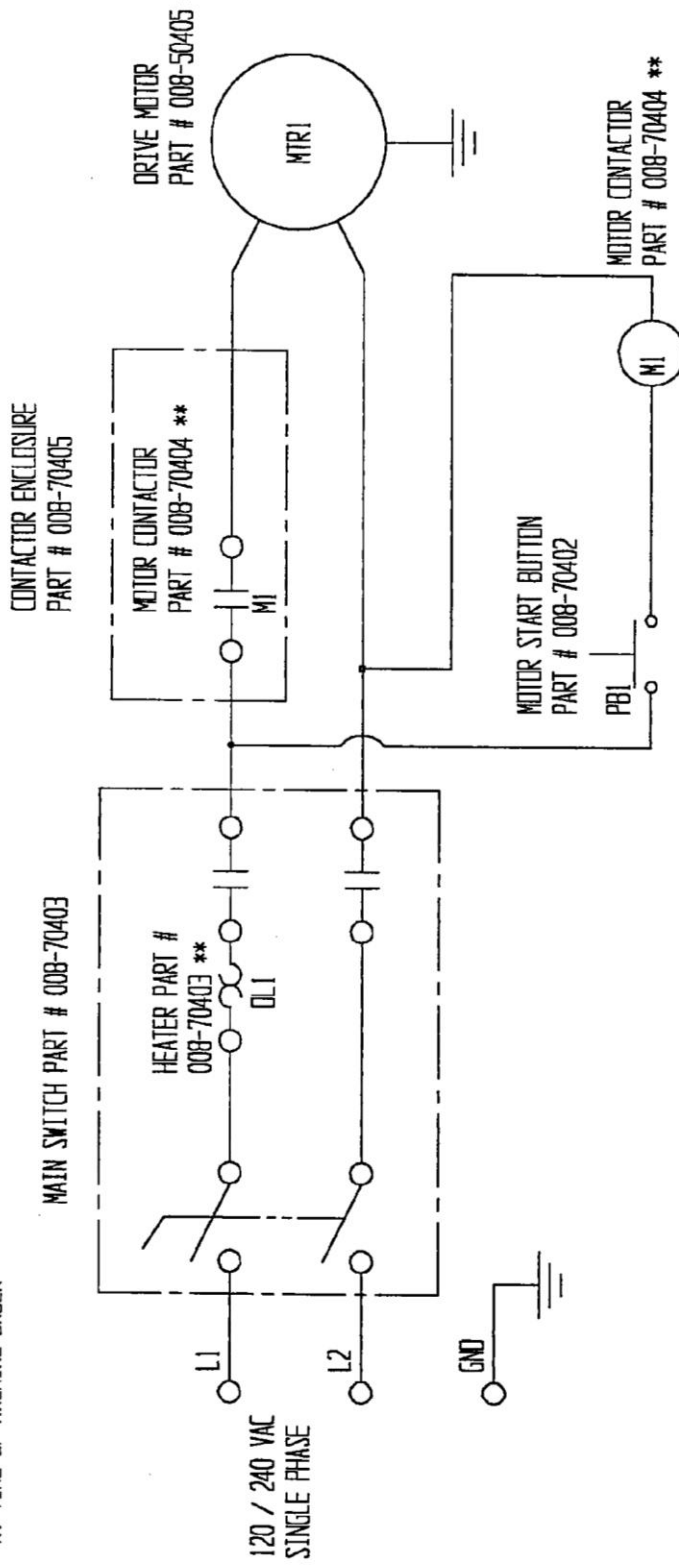
Item #	Part Number	Qty	Description
70	008-30501	2	Mandrel Support Base
71	008-30502B	1	Mandrel Support-Top
72	008-30502	1	Mandrel Support-Top w/Collar
73	008-30503	1	Core Mandrel
74	008-30703	Var.	Core Chuck
75	008-30705	Var.	Cutting Anvil
76	CT8-50702	Var.	Anvil Bearing
77	008-80305 A	1	Anvil Bolt
78	008-80306	Var.	Anvil Insert
79	008-81101	2	Knob
80	008-50302	1	Lock Collar
81	008-50303	4	Dowel Pin
82	008-50301	Var.	Bushing
83	913-05024	6	Lag Screw
84	91W-04WHR	2	Flat Washer
85	91W-05WHR	6	Flat Washer

ALTERNATE ITEM 76
FOR ANVILS LESS
THAN 2.5" DIAMETER
(ELIMINATE ITEM 78)



LEFT END OF TABLE

MUST SPECIFY 120 OR 240 VAC
AT TIME OF MACHINE ORDER



NOTES

** MUST SPECIFY 120 OR 240 VAC

*** MUST SPECIFY 120 OR 240 VAC AND 50 OR 60 CYCLES

MINIMUM WIRE SIZE FOR POWER CIRCUIT 14 AWG
WIRE LINE TO L1 AND L2
USE COPPER CONDUCTORS ONLY