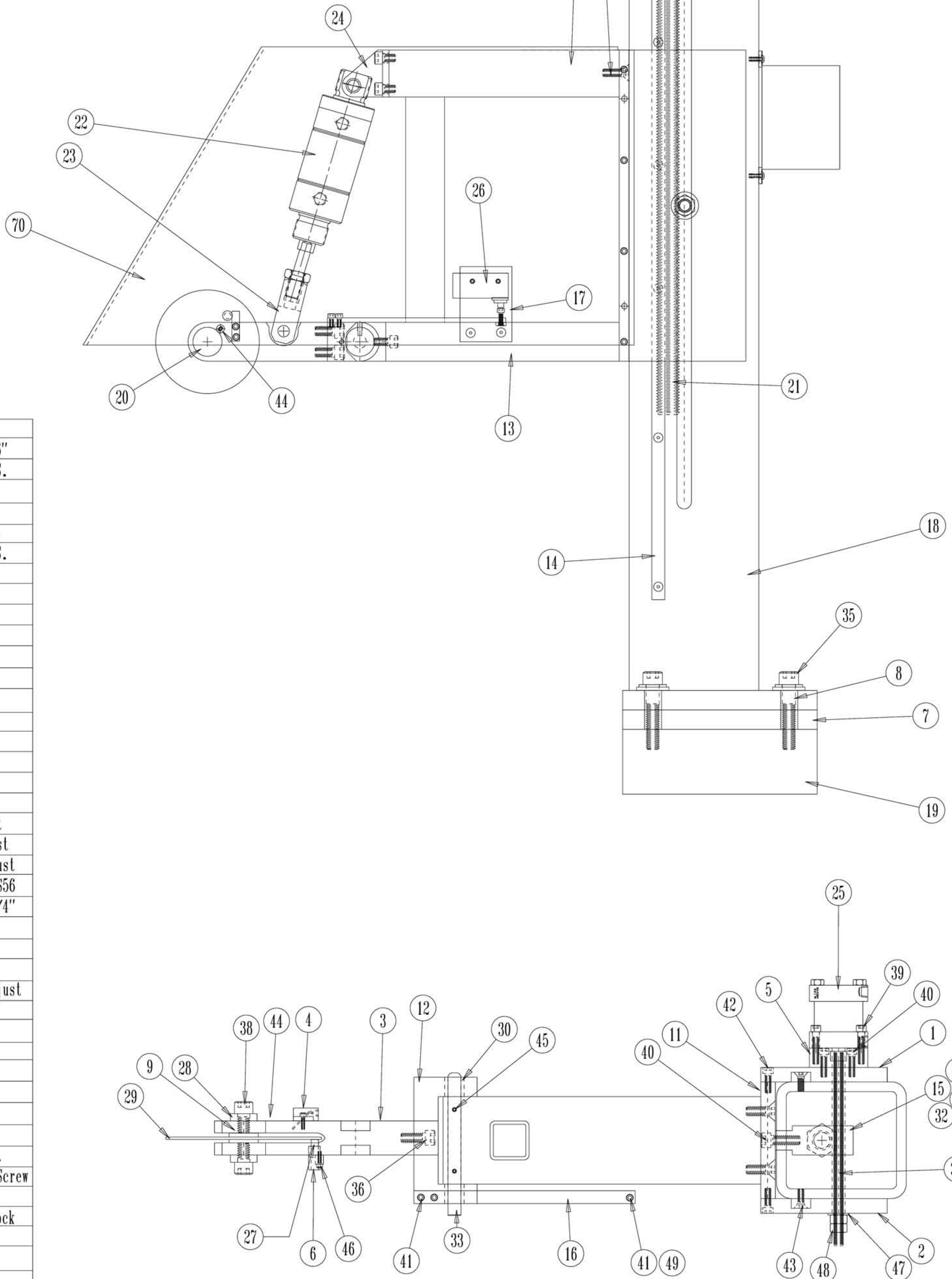


| Item | DWG/Part# | REQ | DESCRIPTION |
|------|--------------|-----|--|
| 1 | 014-30227C | 1 | Right Side Plate |
| 2 | 014-30228C | 1 | Left Side Plate |
| 3 | 010-30209C | 1 | Knife Yoke Front |
| 4 | 010-30210A | 1 | Air Jet |
| 5 | 011-30205A | 1 | Clamp Cylinder Block |
| 6 | 011-30210A | 1 | Contact Brush Holder |
| 7 | 011-30212B | 1 | Insulating Plate, Knife Column |
| 8 | 011-30213B | 4 | Insulating Bushing, Knife Mounting Plate |
| 9 | 010-30716A | 1 | Knife Axle |
| 10 | 014-30215B | 1 | Pivot Bracket Extension 16" |
| | 014-30215B-4 | 1 | Pivot Bracket Extension 24" |
| 11 | 014-30224B | 1 | Knife Mounting Plate |
| 12 | 014-30225B | 1 | Knife Yoke Back |
| 13 | 014-30221B | 1 | Knife Yoke Pivot Block 16" |
| | 014-30226B | 1 | Knife Yoke Pivot Block 24" |
| 14 | 014-30222B | 2 | Brass Guides |
| 15 | 014-30230B | 1 | Nut Retaining Clevis |
| 16 | 014-30232B | 1 | Limit Switch Actuator Arm |
| 17 | 014-30236A | 1 | Limit Switch Bracket |
| 18 | 014-40201D | 1 | Knife Column Weldment |
| 19 | 014-40205C | 1 | Knife Column Riser |
| 20 | 010-50201 | 2 | Knife Yoke Bearing |
| 21 | 014-50225A | 1 | Acme Threaded Rod |
| 22 | 014-60201 | 1 | Knife Cylinder, Bimba |
| 23 | 014-60202 | 1 | Rod Clevis, Bimba |
| 24 | 014-60203 | 1 | Pivot Bracket, Bimba |
| 25 | 014-61060 | 1 | Clamp Cylinder 2 Stage Type |
| | 014-61060-4 | 1 | Clamp Cylinder 4 Stage Type |
| 26 | 014-70201 | 2 | Limit Switch |
| 27 | 011-70207 | 1 | Contact Brush |
| 28 | 010-80205 | 2 | Knife Washer |
| 29 | 010-30708 | 1 | 4" Knife Blade |
| 30 | 010-99901 | 2 | Bushing 3/4" OD X 1/2" ID X 3/4" Length |
| 31 | 010-99902 | 2 | Thrust Bushing 1 1/4" OD X 3/4" ID X 1/16" THK |
| 32 | 014-30233 | 1 | ACME Nut 3/4-6 |
| 33 | 014-90201 | 1 | 1/2" X 4" Hard. Shaft |

| Item | DWG/Part# | REQ | DESCRIPTION |
|------|----------------|-----|---------------------------------|
| 34 | 910-060TR | 1 | 3/8-24 Threaded Rod x 6" |
| 35 | 912-08028 | 4 | 1/2-13 X 1 3/4" S.H.C.S. |
| 36 | 912-06116 | 2 | 3/8-24 X 1" S.H.C.S. |
| 37 | 911-06016 | 2 | 3/8-16 X 1" F.H.C.S. |
| 38 | 912-05008 | 2 | 5/16-16 X 1/2" S.H.C.S. |
| 39 | 912-04020 | 4 | 1/4-20 X 1 1/4" S.H.C.S. |
| 40 | 912-04012 | 10 | 1/2-20 X 3/4" S.H.C.S. |
| 41 | 912-03112 | 3 | 10-32 X 3/4" S.H.C.S. |
| 42 | 912-03108 | 8 | 10-32 X 1/2" S.H.C.S. |
| 43 | 911-03108 | 16 | 10-32 X 1/2" F.H.C.S. |
| 44 | 914-03104 | 2 | 10-32 X 1/4" B.H.C.S. |
| 45 | 912-03108 | 2 | 10-32 X 1/2" S.H.C.S. |
| 46 | 912-02006 | 4 | 8-32 X 3/8" S.H.C.S. |
| 47 | 91W-06WHR | 1 | Flat Washer, 3/8 |
| 48 | 913-061HN | 2 | 3/8-24 Hex Head Nut |
| 49 | 913-031HN | 1 | 10-32 Hex Head Nut |
| 50 | 010-99903 | 2 | Bushing Oilite |
| 51 | 011-31120B | 1 | Top Plate, Auto Adjust |
| 52 | 011-31121B | 1 | Rear Plate, Auto Adjust |
| 53 | 011-31122B | 1 | Front Plate, Auto Adjust |
| 54 | 011-31123B | 1 | Bottom Plate, Auto Adjust |
| 55 | 912-04124 | 4 | 1/4-28 X 1 1/2" S.H.C.S56 |
| 56 | 800-3.1628 | 1 | Spring Pin, 3/16 X 1 3/4" |
| 57 | 011-90203 | 1 | CRS Shaft 5/8 X 5 1/4" |
| 58 | 011-51126 | 1 | Thrust Washer |
| 59 | 010-50501 | 2 | 5/8 Lock Collar |
| 60 | 011-90201 | 2 | Thrust Washer, Auto Adjust |
| 61 | 010-90202 | 1 | Bushing oilite |
| 62 | 011-80201 | 1 | Handwheel, Auto Adjust |
| 63 | 011-51120 | 1 | Bevel Gear, Small |
| 64 | 011-51121 | 1 | Bevel Gear, Large |
| 65 | 011-51123 | 1 | Coupling, Bottom |
| 66 | 011-51123 | 1 | Coupling, Top |
| 67 | 011-51124 | 1 | Insert, Coupling |
| 68 | 912-05016 | 4 | 5/16-18 X 5/8" S.H.C.S. |
| 69 | 917-03106 | 4 | 10-32 X 3/8 Brass Tip Set Screw |
| 70 | 014-40801 OR 2 | 1 | Knife Guard 16" or 24" |
| 71 | 011-30211A | 1 | Limit Switch Mounting Block |
| 72 | 912-01024 | 4 | 6-32 X 1 1/2" S.H.C.S. |
| 73 | 912-04016 | 2 | 1/4-20 X 1" S.H.C.S. |
| 74 | 011-51125 | 1 | DC Drive Motor |



CORETECH INTERNATIONAL INC
 41 INDUSTRIAL RD.
 ALPHA NJ 08865
 1-908-454-7999 VOICE
 1-908-454-7998 FAX

LARGE ID KNIFE COLUMN W/ AUTO
 ADJUST KNIFE OPTION
 DRAWN J.A.H.
 CHECKED
 SCALE: 3 TO 1
 RELEASE DATE: 04-06-12

REV 014-00206D
 DWG NO
 CAGE CODE
 SIZE
 SCALE: 3 TO 1
 RELEASE DATE: 04-06-12

1
2
3
4
5
6
7
8