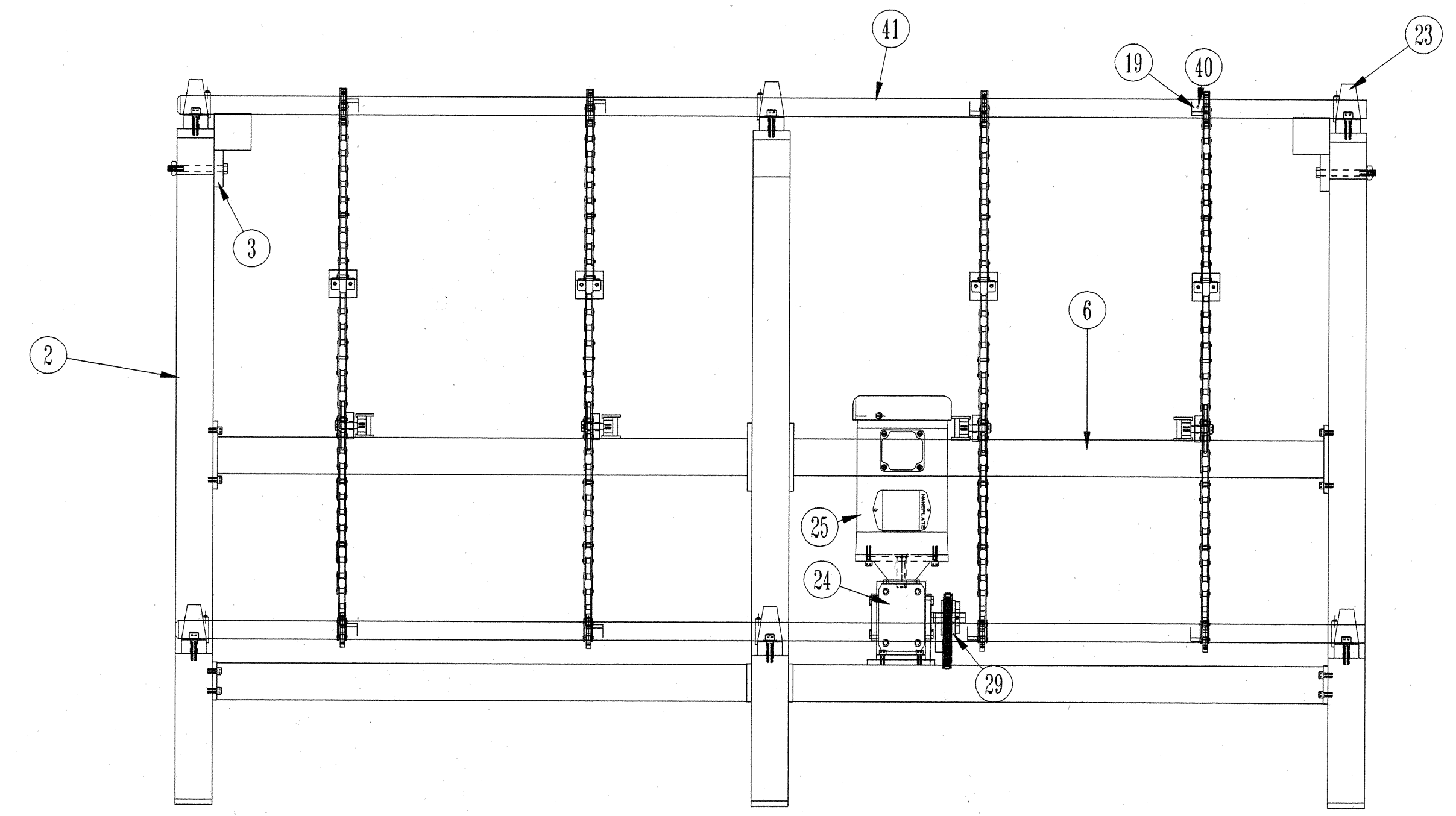


REVISIONS				
ZONE	REV	DESCRIPTION	DATE	APPROVED

Item	DWG/Part#	REQ	DESCRIPTION	Item	DWG/Part#	REQ	DESCRIPTION	Item	DWG/Part#	REQ	DESCRIPTION
1	011-01010D	1	INCLINE TABLE	21	011-52003	9/12	CONNECTION LINK	39	1/2x1 1/2	3/4	1/2" DIA x 1 1/2" LENGTH SHOULDER BOLT
2	011-01011D	2/3	INCLINE TABLE SUPPORT	22	011-52004	NOTE	CONVEYOR CHAIN	40	800-1.448	10/13	1/4" DIA X 3" LENGTH SPRING PIN
3	011-31029A	2	TABLE SUPPORT ROLLER	23	011-52005	4/6	PILLOW BEARING	41		2	CRS SHAFTING 1 1/2" DIA X CORE + 9"
4	011-31040A	1	PHOTO SENSOR BRACKET	24	011-52006	1	REDUCER (DC MOTOR TYPE)	42	910-060THR	3/4	THREADED ROD W/ NUT 3/8-16 X 2"
5	011-32012A	3/4	IDLER SPROCKET ADJ. BLOCK	25	011-52012	1	REDUCER (AC MOTOR TYPE)	43	011-41020B	2	INFEED RETAINING WALL
6	011-42002B	2/4	CROSS BRACE WELDMENTS	26	011-52007	1	MOTOR 1/2HP 90VDC				
7	011-42003B	3/4	IDLER SPROCKET SUPPORT WELDMNT	27	011-52014	1	MOTOR 3/4HP PH3 VAC				
8	011-42004C	1	GEAR REDUCER MOUNT	28	011-52008	1	SPROCKET #40 X 40TOOTH				
9	011-42005B	2	CONVEYOR GUARD, REAR	29	011-52009	VAR	#40 CHAIN				
10	011-42006C	2	CONVEYOR GUARD, FRONT	30	011-52010	1	SPROCKET, GROUND #40 X 25TOOTH				
11	011-42008B	9/12	PADDLE (SEE NOTE 1)	31	011-52011	1	TORQUE LIMITER 7/8" BORE X 100 FT LBS				
12	011-42009B	2	CONV TO RECEPT LINK	32	011-62001	1	GATE LIFTING CYLINDER				
13	011-42010D	1	RECEPTACLE	33	011-62003	1	GATE CYLINDER VALVE				
14	011-42041D	1	REMOVABLE CYLINDER MOUNT	34	011-72001	1	PHOTO SENSOR				
15	011-42045C	1	GATE LIFTER WELDMENT	35	011-82002	2	CLAMP				
16	011-42046B	2	GATE LIFTER ALIGNERS	36	011-42021B	2/3	CORE LIMITING BAR				
17	011-42050D	1	CORE CART (SEE NOTE 2)	37	011-82005	4	CASTER 2 W/ BRAKE				
18	011-42055D	1	CORE CART GATE	38	010-50306	3/4	1/2" ID X 5/8" OD X 1/2" BRASS BUSHING				
19	011-52001	9/12	SPROCKET	39	010-50305	3/4	1/2" ID X 5/8" OD X 5/8" BRASS BUSHING				
20	011-52002	9/12	ATTACHMENT LINK	40		3/4	1/2" ID X 3/16 THICK THRUST BUSHING				

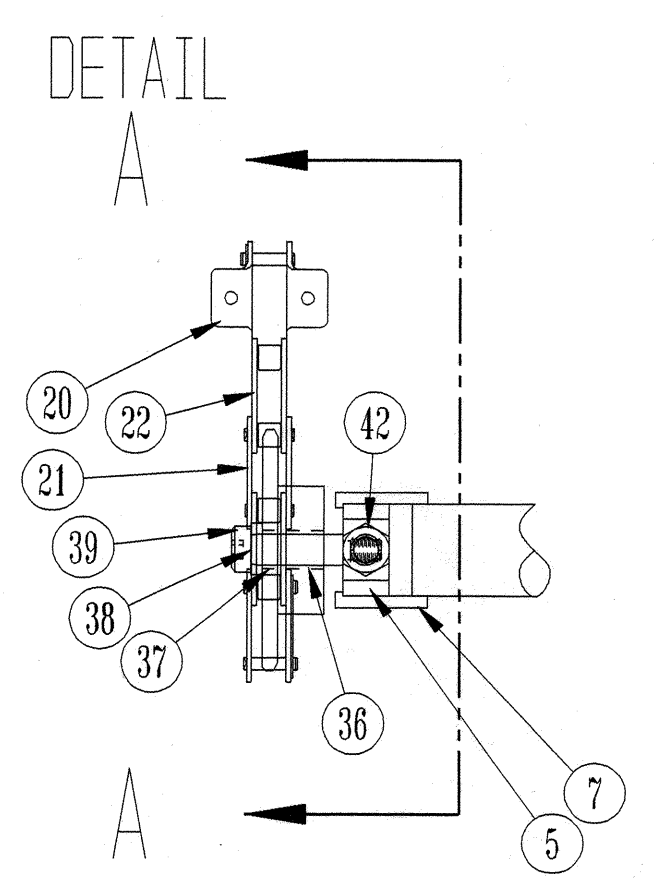
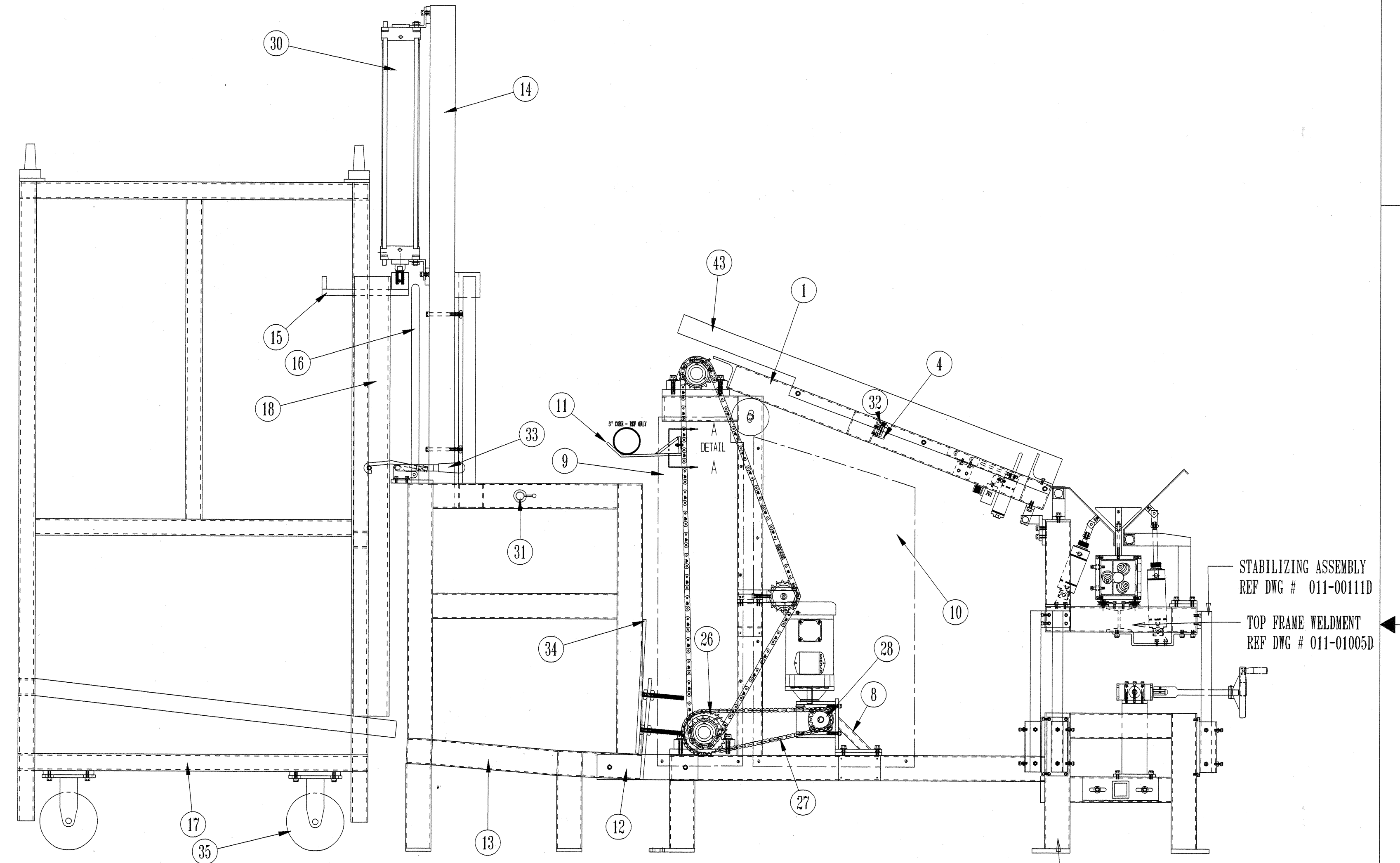


OPTIOINAL 3 SUPPORT SYSTEM SHOWN
CORE RECEPTACLE / CART OR BUGGY NOT SHOWN IN THIS VIEW

NOTES: 1. 6" AND LARGER USE H.D. PADDLE DWG # 011-42020C
2. OPTION CORE BUGGY 011-42011D AND GATE 011-42015D

CONVEYOR CHAIN

- 2 - 13 LINKS PLUS MASTER LINK = 14 LINKS
- 1 - 12 LINKS PLUS MASTER LINK = 13 LINKS



3 X SCALE

MODEL 11 REAR CONVEYOR LOADER SYSTEM		REDBAWN FROM PRINT WITH SAME # DATED 7/02		
DRAWN JAH	SIZE D	CAGE CODE	DWG NO 011-02002D	REV
CHECKED	SCALE 1/9	RELEASE DATE 1/2004	SHEET	