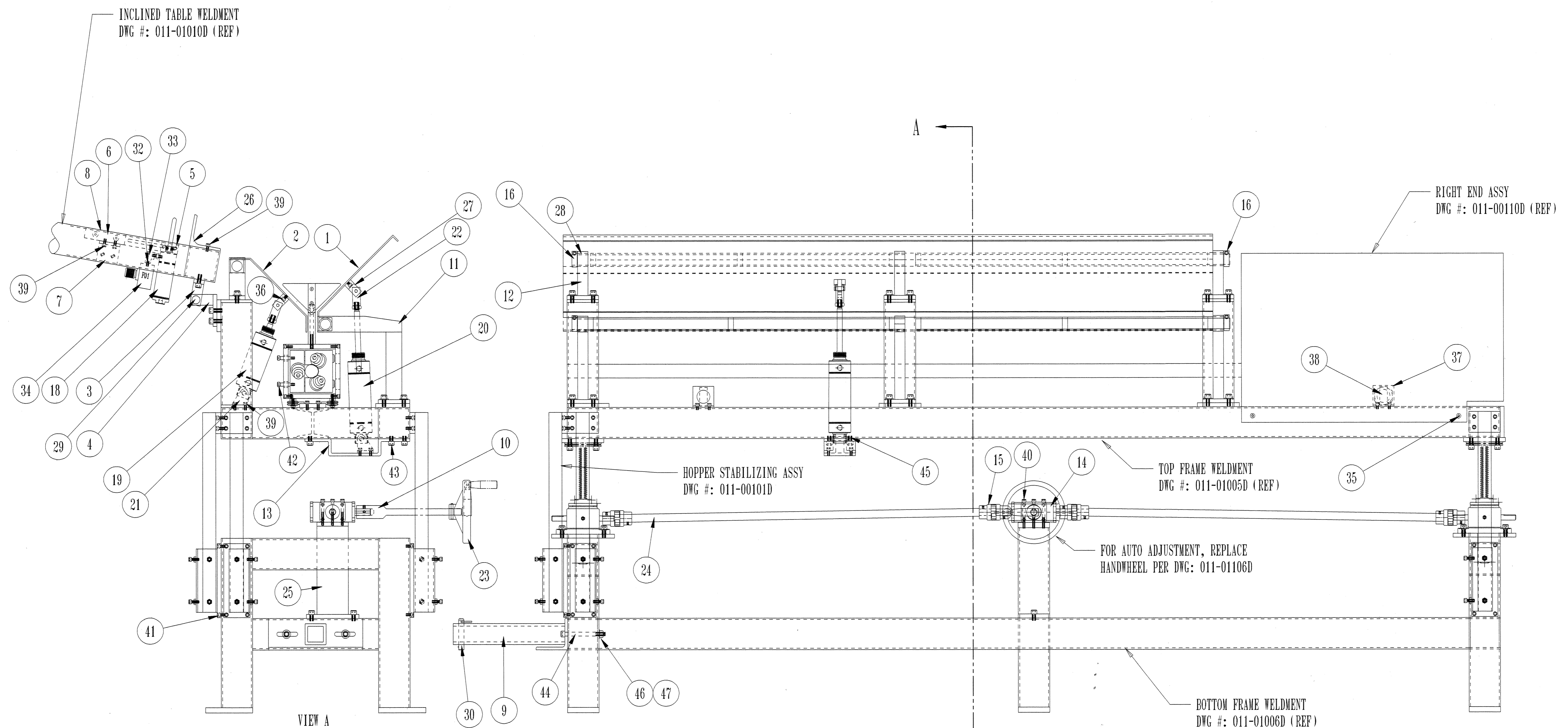


D
C
B
A

D
C
B
A



VIEW A

ITEM 31 IS NOT SHOWN ON PRINT

Item	DWG/Part#	REQ	DESCRIPTION	Item	DWG/Part#	REQ	DESCRIPTION
1	011-01036C	1	FRONT THROUGH WELDMENT	26	011-31048A	VAR	CORE RELEASE STOP ANGLE
2	011-01037C	1	REAR THROUGH WELDMENT	27	011-31021A	VAR	ROD CLEVIS PIVOT MOUNT
3	011-31025A	2	INCLINED TABLE PIVOT PIN FLANGE	28	011-51022	VAR	1 1/4" OD X 1" ID X 1" LONG BUSHING
4	011-31026B	2	INCLINED TABLE PIVOT PIN MOUNT	29		2	3/4" DIA CBS SHAFTING X 4 1/2"
5	011-31041A	3	CORE RELEASE ADJUSTMENT BLOCK	30		1	1/2" DIA X 3" LONG QUICK PIN
6	011-31042B	3	CORE RELEASE ADJUSTMENT RAIL	31		1	BALL JOINT ROD END, 1/2" #60645K16
7	011-31046A	3	CORE RELEASE MOUNTING ANGLE	32		3	NIPPLE, 1/8" NPT-M
8	011-31047A	3	CORE RELEASE MAIN BLOCK	33		3	90° ELBOW, BRASS 1/8 NPT- MALE X FEW
9	011-31091C	1	MACHINE CONNECTOR	34		3	FLOW CONTROL VALVE, ARO F01
10	010-30912A	1	SHAFT EXTENDER	35	914-03108	4	10-32 X 1/2 BHCS
11	011-41021C	3	TROUGH SUPPORT, FRONT	36	912-04006	VAR	1/4-20 X 3/8 SHCS
12	011-41022B	3	TROUGH SUPPORT, REAR	37	011-31040A	2	PHOTO-EYE MOUNT
13	011-41030B	1	CYLINDER BRACKET	38	011-70101	2	PHOTO-EYE, BANNER SW312D
14	011-51020	1	RIGHT ANGLE GEAR DRIVE, BOSTON RA10	39	912-04008	VAR	1/4-20 X 1/2" SHCS
15	011-51021	2	FLEXIBLE COUPLING SCHMIDT (1 * 3/8" & 1 * 3/4")	40	912-04036	3	1/4-20 X 2 1/4" SHCS
16	021-50203	4	CLAMP COLLAR, 1" ID - HOLOKROME 15030	41	912-04108	32	1/4-28 X 1/2" SHCS
17	007-50303	8	CLAMP COLLAR, 3/4" ID - HOLOKROME 15022	42	915-05016	4	5/16-18 X 1" SHOULDER BOLT
18	011-61003	3	CORE RELEASE CYLINDER, BIMBA 174-D	43	912-06010	VAR	3/8-16 X 5/8" SHCS
19	011-61011	VAR	DUMP EJECT CYLINDER, BIMBA 312-DXP	44	912-06060	2	3/8-16 X 3 3/4" SHCS
20	011-60601	VAR	CORE DUMP CYLINDER, BIMBA 313-DXP	45	912-06110	VAR	3/8-24 X 3/4" SHCS
21	011-60605	2	PIVOT BRACKET, BIMBA D-620	46	918-06WHR	VAR	3/8" DIA WASHER
22	011-60606	2	ROD CLEVIS, BIMBA D-231-3	47	913-060HN	2	3/8-16 HEX NUT
23	011-81005	1	HANDWHEEL, KIPP 2995B				
24		2	SHAFTING, 3/4" DIA X VAR LENGTH				
25	011-41035B	1	GEAR DRIVE SUPPORT				

AUTOMATIC LOADING TROUGH, GENERAL ASSEMBLY		REDRAWN FROM PRINT DATED 10/88 (637 & UP)	
DRAWN JAH	SIZE D	DWG NO 011-00109D	REV
CHECKED	SCALE 1/4	RELEASE DATE 11-18-2003	SHEET