



CT 8 CORE CUTTER

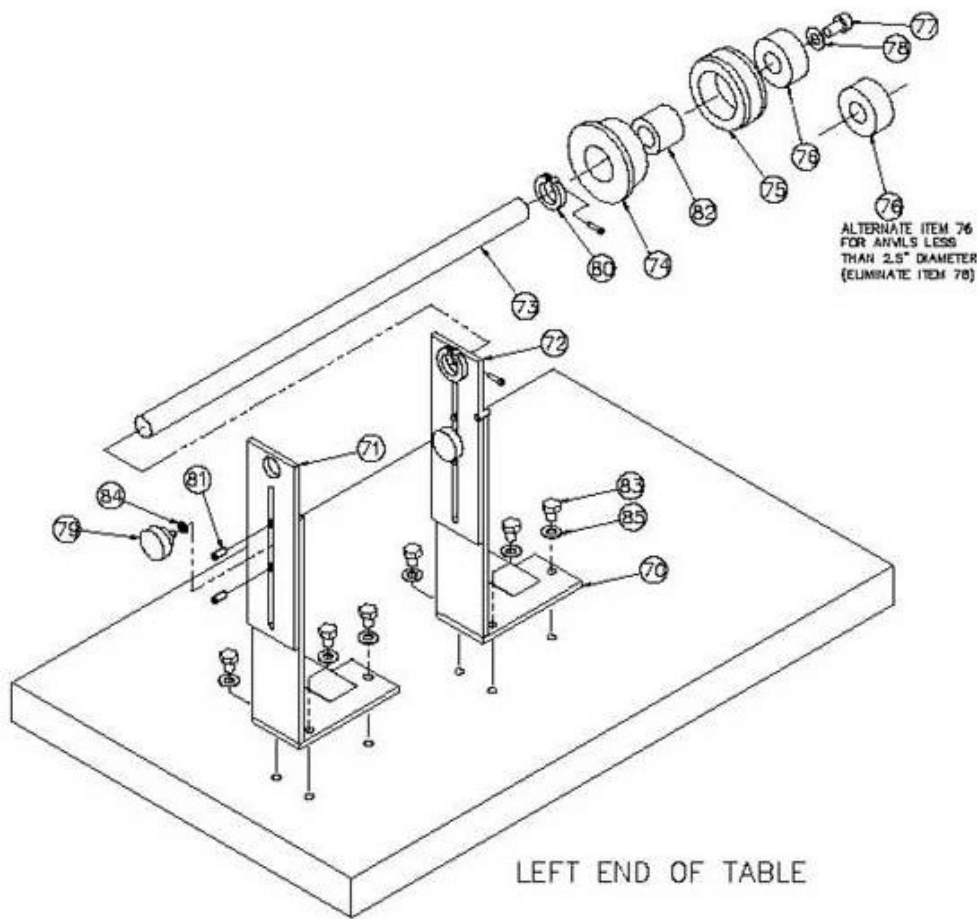


Phone: 908-454-7999
Fax: 908-454-7998
E-mail: info@coretechinternational.com
www.coretechinternational.com

Office & Manufacturing Plant
41 Industrial Road
Alpha, NJ 08865

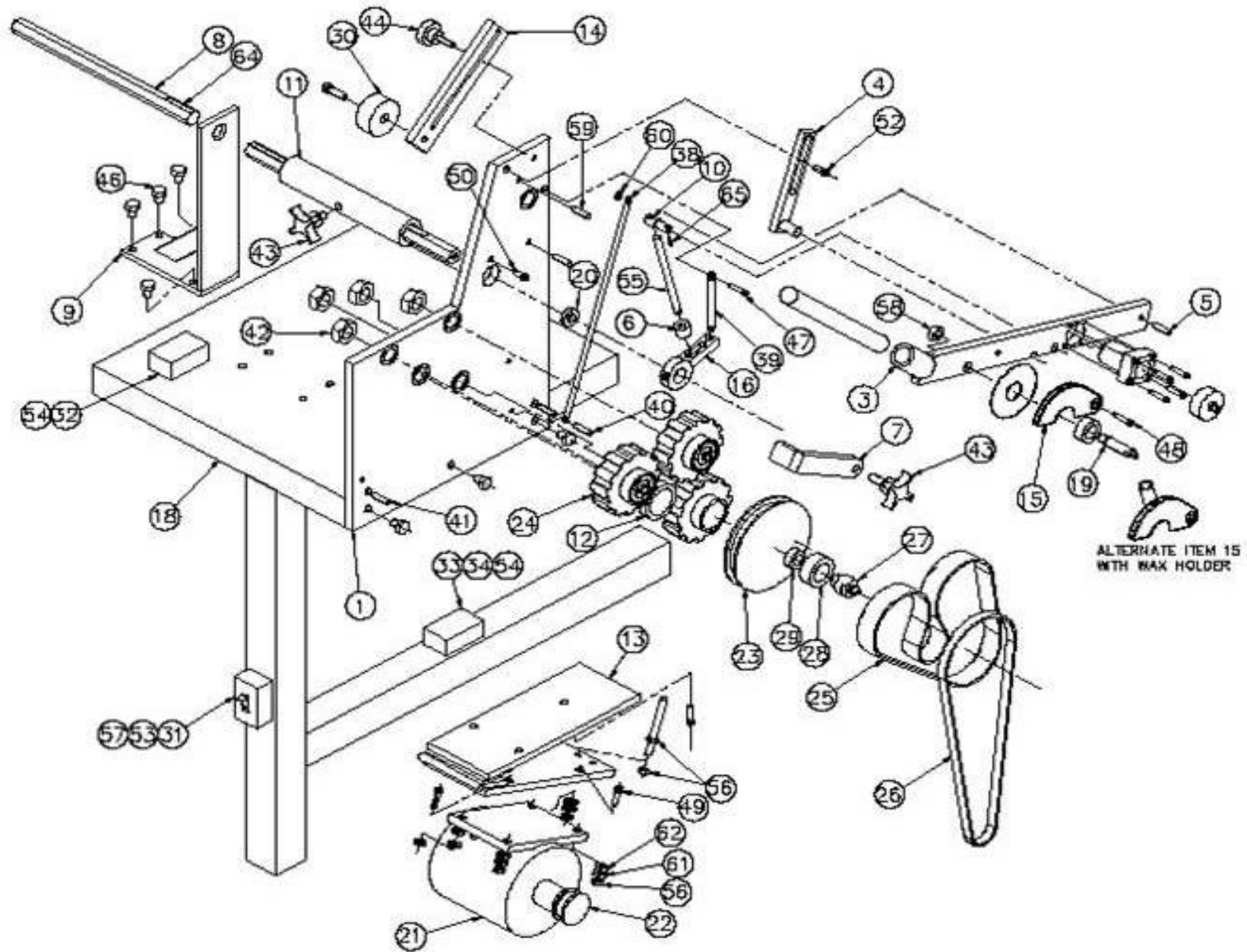
LEFT SIDE MACHINE PARTS LIST

ITEM	PART NUMBER	QTY	DESCRIPTION
70	008-30501	2	Mandrel Support Base
71	008-30502B	1	Mandrel Support-Top
72	008-30502	1	Mandrel Support-Top w/ Collar
73	008-30503	1	Core Mandrel
74	008-30703-X	Var.	Core Chuck
75	008-30705-X	Var.	Cutting Anvil
76	CT8-50702	Var.	Anvil Bearing
• 77	008-80305	1	Anvil Bolt
78	008-80306	Var.	Anvil Insert
79	008-81101	3	Knob
80	008-50302	1	Lock Collar
81	008-50303	4	Dowel Pin
82	008-50301	Var.	Bushing
83	913-05024	6	Lag Screw
84	91W-04WHR	2	Flat Washer
85	91W-05WHR	6	Flat Washer



- Must have items—commonly needed parts
- 010-30707 3” Original CoreTech blade

RIGHT SIDE OF MACHINE



RIGHT SIDE MACHINE PARTS LIST

ITEM	PART NUM-BER	QTY	DESCRIPTION	ITEM	PART NUM-BER	QTY	DESCRIPTION	ITEM	PART NUM-BER	QTY	DESCRIPTION
1	008-30101	1	Mounting Plate	21	008-50401	1	Motor, 3/4 HP	44	008-81101	1	Knob
3	008-30201	1	Knife Arm Assembly	22	008-50402	1	Drive Pulley	46	913-05024	7	Hex Lag Bolt
4	008-30203	1	Knife Arm Stop	23	008-50403	1	Drive Pulley/Gear	47	912-05020	1	SHCH
5	008-30204	1	Knife Handle Spring Pin	24	008-50404	2	Drive Gear	48	912-05016	1	SHCH
• 6	008-30303	1	Actuator Lever Pusher	• 25	008-50405	1	Drive Belt	49	912-05012	4	SHCH
7	008-30305	1	Tube Stop	• 26	008-50406	1	“V” Belt	50	914-05016	1	BHCS
8	008-30307	1	Tube Stop Shaft	• 27	008-50407	5	Tightner Shaft, Drive	52	912-06016	1	SHCS
9	008-30308	1	Tube Stop Shaft Support	28	008-50408	4	Tightner Shaft, Collar	53	914-03006	2	BHCS
10	008-30310	1	Push Rod, Top	29	008-50409	8	Bearing	54	NA	4	NA
11	008-30311	1	Locking Spacer	30	008-50703	Var.	Kickback Bearing	55	008-30309	2	Threaded Rod
12	008-30401	1	Drive Idler	31	008-70401	1	Power Switch	56	913-050HN	6	Hex Nut
13	008-30402	1	Motor Mount	32	008-70402	1	Push Button	57	913-030HN	2	Hex Nut
14	008-31101	1	Support Roller Mount	33	008-70404	1	Relay	59	801-1.412	1	Dowel Pin
• 15	008-40201	1	Knife Guard	34	008-70405	1	Enclosure/Dust cover	60	008-99001	3	“E” Clip
15	008-40201w	1	Knife Guard with Waxer	• 38	008-80202	1	Knife Handle Spring	61	91W-05WHR	4	Flat Washer
16	008-40301	1	Tube Stop Actuator	• 39	008-80301	1	Actuator Spring	62	91W-05WHEL	4	Lock Washer
17	008-40401	1	Drive Assembly Guard	40	008-80302	2	Spring Pin	64	008-80310	1	Tape
18	008-40101	1	Table	41	008-80303	2	Spring Pin	65	800-1.812	1	Roll Pin
• 19	008-50201	1	Tightener Shaft, Knife	42	008-80304	5	Jam Nut				
20	008-50301	1	Tube Stop Bushing	• 43	008-80307	2	Tube Stop Knob				

- Must have items—commonly needed parts
- 010-30707 3” Original CoreTech blade



Recommended Spare Parts List

41 Industrial Road
Alpha, NJ 08865
T (908) 454-7999

Please fill out the quantities you would like to order in
the "Qty for Order" field and fax to (908) 454-7998

PURCHASE ORDER NUMBER : _____

ITEM	DESCRIPTION	RECOMMENDED QTY	RATE (EACH)	QTY FOR ORDER	TOTAL
915-08016	Anvil Bolt	1	\$3.87		
008-30303	Actuator Level Pusher	1	\$28.35		
008-40201	Knife Guard	1	\$128.72		
008-50201	Tightener Shaft, Knife	2	\$21.10		
008-50405	Drive Belt	2	\$39.14		
008-50406	"V" Belt	1	\$23.54		
008-50407	Tightener Shaft/Drive	2	\$29.20		
008-80202	Knife Handle Spring	2	\$4.60		
008-80301	Actuator Spring	1	\$7.98		
008-30307	Tube Stop Shaft	2	\$133.65		
010-30707	Original 3" CoreTech Blades (tiered pricing when ordering 12 or more)	1 12	\$31.65 \$27.65		
These prices are as of April, 2014 and are subject to change.				TOTAL	